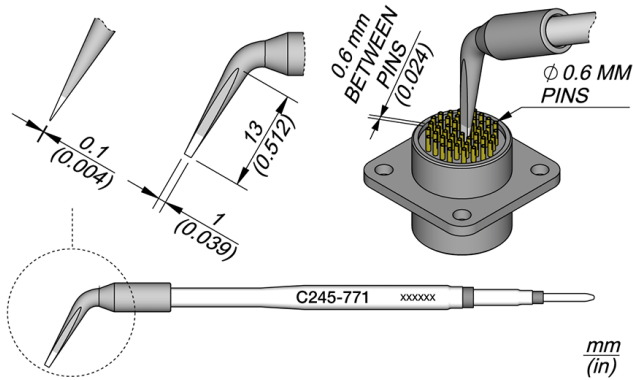


JBC C245771 Special 1 x 0.1



This is a special bent cartridge for soldering between pins.

C245 cartridges are appropriate for general soldering purposes and they are perfect for both SMD components and applications with high power requirements.

They work with T245 Handpieces.

JBC Long Life Tips offer instant heat up, excellent heat transfer and great durability.

They last 5 times longer than other brands thanks to the JBC Most Efficient Soldering System and the Sleep & Hibernation features.

SPECIFICATIONS

| | |
|---------------------------|-----------------------|
| Net weight | 0,008 kg (0.02lb) |
| Package weight | 15 gr (0.03 lb) |
| Package dimensions | 110 x 12 x 12 mm |
| | 4.33 x 0.47 x 0.47 in |
| | 8 gr (0.02 lb) |

CONNECTABLES

Compatible tools

General Purpose Handle
T245-A

Blue General Handle
T245-PA

Nitrogen Handle
T245-NA

